

Ethylene Propylene LPG Ammonia



PROJECT

Project name:
LPG Recovery Plant

Country:

Poland

Client:

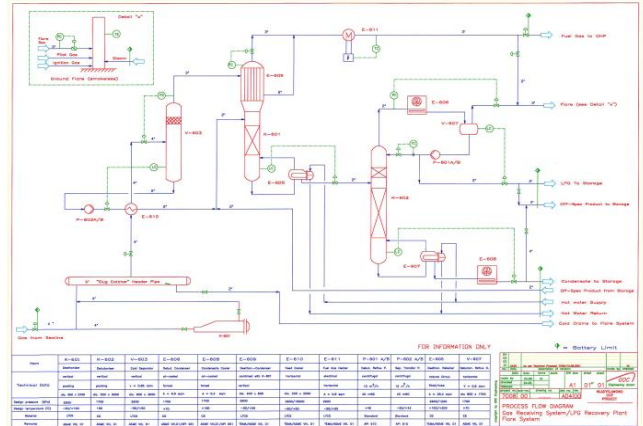
ILF

Year:

2001

GOC project:

7008



PROJECT DESCRIPTION

LPG Recovery Plant for Wladyslawowo CHP Project

- Slug catcher
- Deethanizer
- Debutanizer
- Cold separator
- Condenser
- Feed cooler
- Reflux pumps
- Transfer pumps
- Reboiler
- Flare system

PROJECT PHASES

Tender phase

GOC DISCIPLINES

- Process
- Mechanical & rotating equipment
- Electrical & instrumentation
- Commercial
- Piping & valves

GOC WORK SCOPE

- Pre-bid assistance
- Process design
- Process flow diagram
- Sizing of equipment
- Costing of equipment