

PROJECT

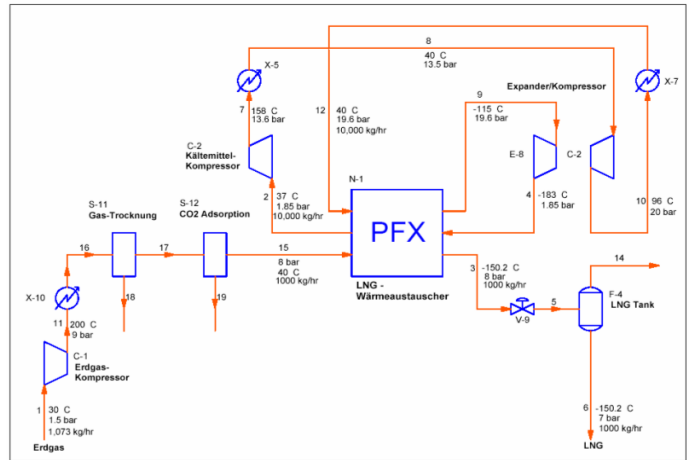
Project name:
Small Scale LNG

Country:
 Germany

Client:
 German Energy Company

Year:
 2006

GOC project:
 7050



PROJECT DESCRIPTION

Small scale LNG plant in Germany
 Gas liquefaction
 LNG storage facilities
 LNG regasification
 Metering
 Distribution

PROJECT PHASES

Study

GOC DISCIPLINES

Process
 Layout
 Safety

GOC WORK SCOPE

Detailed technical/commercial study